



HERMETIC Newsletter – News in the new year



HERMETIC-Pumpen GmbH wishes you a Happy New Year 2022.

We look forward to working with you and also to the possibility of a personal conversation. Be it at HERMETIC, when our sales representative visits you or at this year's CHILLVENTA in Nuremberg.

We face what is to come with great confidence and commitment.

Stay healthy and browse our first newsletter of 2022.

Sebastian Dahlke
CCO – Chief Client Officer

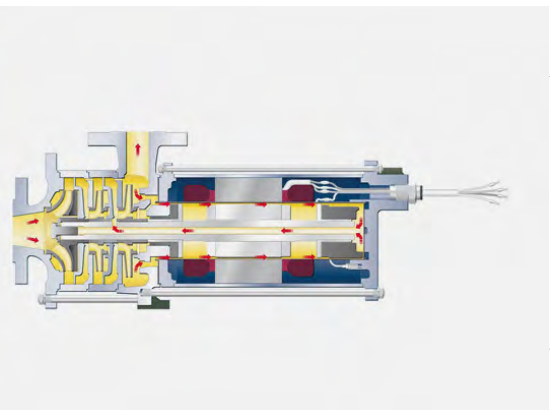


HERMETIC refrigerant pumps for the largest bobsleigh, luge and skeleton track in the world

Planning office Deyle and Johnson Controls relied on HERMETIC canned motor pumps for the design and construction of the Olympic ice canal in Beijing

With a competition length of 1,615 metres and 16 curves, the so-called „National Sliding Centre“ is the largest artificially-iced bobsleigh, luge and skeleton track in the world. It was built for the 2022 Winter Olympics near Beijing and is located not far from the Great Wall of China. The combined track for bobsleigh, skeleton and luge will accommodate 10,000 visitors. For the athletes, the artificial ice canal holds high technical difficulties with innovative passages. In the background, sophisticated technology ensures perfect and constant competition conditions as well as safety according to high European standards. Responsible for the planning was the Stuttgart planning office Deyle (PBD) that won the state tender for the Olympic facility. The contract for the foreign share in the implementation of the entire refrigeration concept was awarded to air conditioning refrigeration specialist Johnson Controls. Hermetically sealed canned motor pumps from HERMETIC-Pumpen GmbH ensure a safe and reliable supply of ice. The pump types used include standard refrigerant pumps and custom-made products specially developed for the application.

Read the full report [here](#).





New partner in Switzerland

HERMETIC-Pumpen GmbH is pleased to announce a new partnership.

aran ag – your competent and experienced partner, was founded in MuttENZ in 1997 with four employees and was primarily concerned with shut-off, control and safety fittings before the spectrum was expanded to include pumps and gears. Today, 25 employees work for aran ag, who are happy to pass on their many years of experience to you. Together with our partners we offer you the best solution for your process.

You will benefit from this new partnership – fast and direct communication in matters of new pumps, advice and service.

HERMETIC, known and valued for hermetically pump technology – customized or standardized, looks forward to working with an experienced partner.

More information at valve [service and pump service in Switzerland | Aran AG](#)





Knowledge and information for your daily work

The new **media platform** from HERMETIC: All relevant and digitally available documents and information at a glance. Digital, compact and practical.

Media platform

Our main page for the field of **refrigeration technology**: Here you will find the modern HERMETIC pump design, application reports, tips and much more. Simple, fast and clear.

Refrigeration technology

Follow us:

[LinkedIn](#) | [YouTube](#)

Impressum

HERMETIC-Pumpen GmbH

Gewerbestrasse 51 · 79194 Gundelfingen · Deutschland

phone +49 761 5830-0 · hermetic@hermetic-pumpen.com · www.hermetic-pumpen.com

Geschäftsführer: Nicolaus Krämer (CEO, COO), Christiane Krämer (CFO), Sebastian Dahlke (CCO)

Umsatzsteueridentnummer: DE 142212033 · Registergericht Freiburg HRB 365